

### SPECIFICATIONS

**CONTACT RATING:** Max 0.4 VA max @ 48 VAC or DC

**MECHANICAL LIFE:** minimum 40,000 operations.

**CONTACT RESISTANCE:** 50 mΩ max.

**INSULATION RESISTANCE:** 500 MΩ at 250 VDC.

**DIELECTRIC STRENGTH:** 500V, 50 Hz for the duration of 1 minute.

**OPERATING TEMPERATURE:** -20°C to 80°C.

**DEGREE OF PROTECTON:** IP67

### MATERIALS

**ACTUATOR:** PBT,yellow std.

**HOUSING/SWITCH SUPPORT:** Brass, Ni plated.

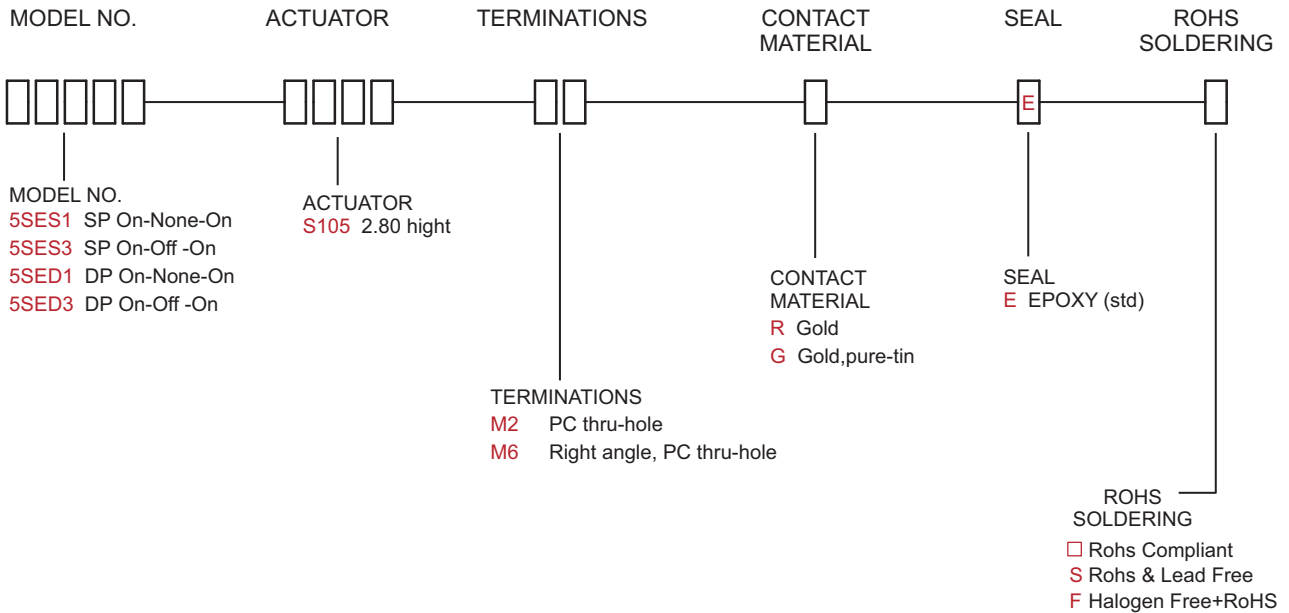
**CASE:** PBT, Meets (UL94V-0), Washable

**CONTACT/TERMINALS:** Phosphor bronze gold - plated  
over nickel barrier.

**TERMINAL SEAL:** Epoxy



## HOW TO ORDER



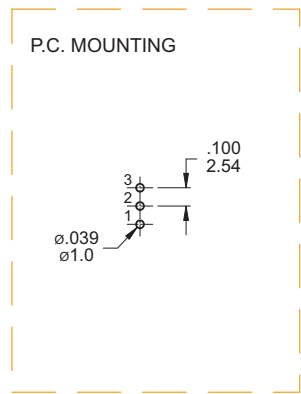
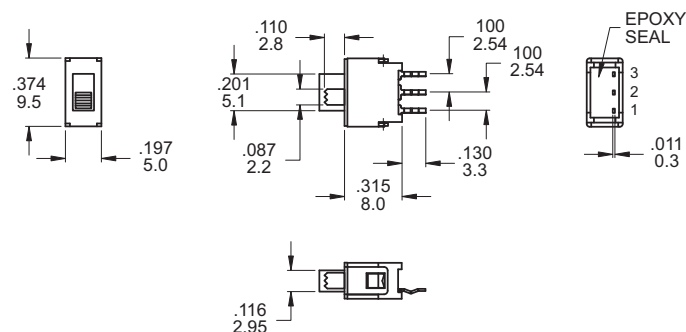
**SWITCH FUNCTION**

NO. POLES	MODEL NO.	SWITCH FUNCTION			CONNECTED TERMINALS / SCHEMATIC		
		POS.1	POS.2	POS.3	POS.1	POS.2	POS.3
SP	5SES1	ON	NONE	ON	2-1 	N/A	2-3 
	5SES3	ON	OFF	ON		OPEN	
DP	5SED1	ON	NONE	ON	2-1,5-4 	N/A	2-3,5-6 
	5SED3	ON	OFF	ON		OPEN	

MOM=MOMENTARY

**POLE OPTIONS**

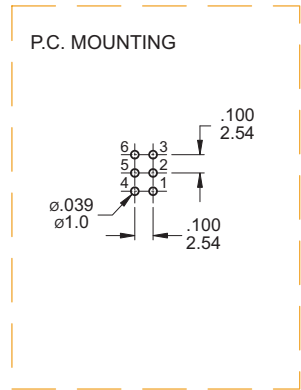
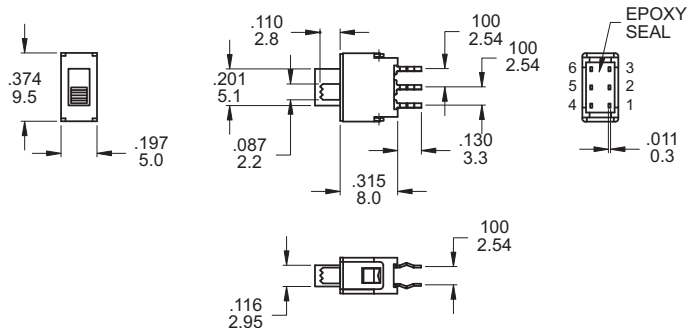
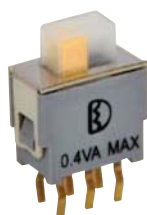
**M2**



**SPDT**

Part No. Shown : 5SES1S105M2RE

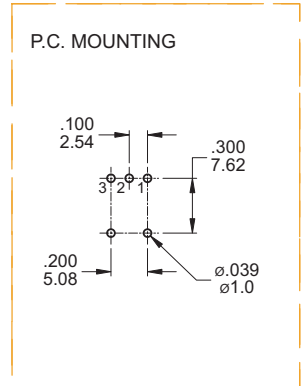
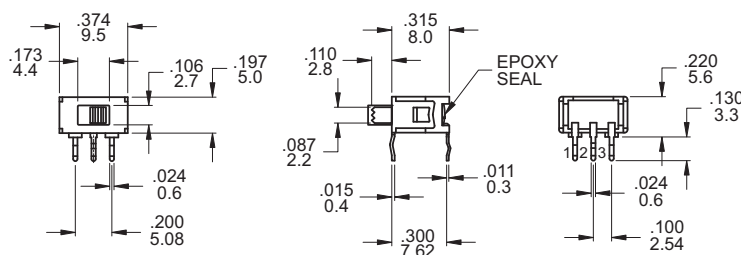
**M2**



**DPDT**

Part No. Shown : 5SED1S105M2RE

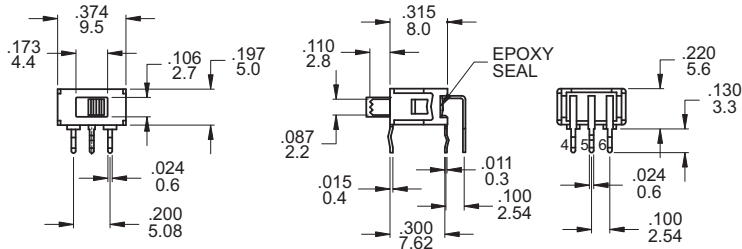
**M6**



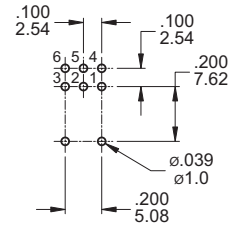
**SPDT**

Part No. Shown : 5SES1S105M6RE

M6



P.C. MOUNTING



DPDT

Part No. Shown : 5SED1S105M6RE

### SOLDERING PROCESSES

**WAVE SOLDERING :** Recommended Soldering Temperature :  $260 \pm 5^\circ\text{C}$   
 Duration of Solder Immersion : Max 5 sec.  
 (PCB is 1.6mm in thickness)

**SOLDERING :** Vapor phase



5SE  
Slide Switches