



SPECIFICATIONS

POLE-POSITION : Momentary Type, SPST with LED

CONTACT RATING : 30V DC,0.1A

CONTACT RESISTANCE : 50mΩ max. 1.5V DC ; 100mA,
by Method of Voltage DROP

INSULATION RESISTANCE : 100MΩ min. 500V DC

DIELECTRIC STRENGTH : Breakdown is not allowable ;
500V AC for 1 Minute

OPERATING FORCE : 250±100gf

OPERATING LIFE : 50,000 cycles

OPERATING TEMPERATURE RANGE : -40°C ~ 85°C

TOTAL TRAVEL : 1.2±0.3mm

Materials

CAP : PC

CASE & HOUSING : Nylon 6/6

TERMINALS : Copper alloy with gold plated.



HOW TO ORDER

MODEL NO. LED COLOR

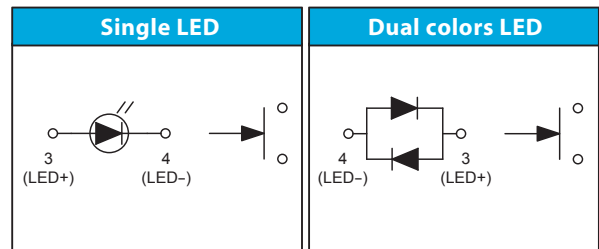
PBL



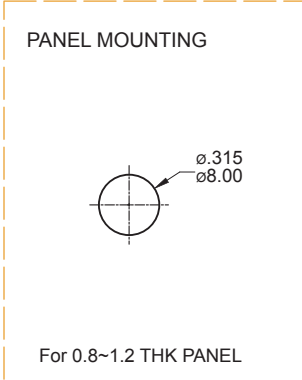
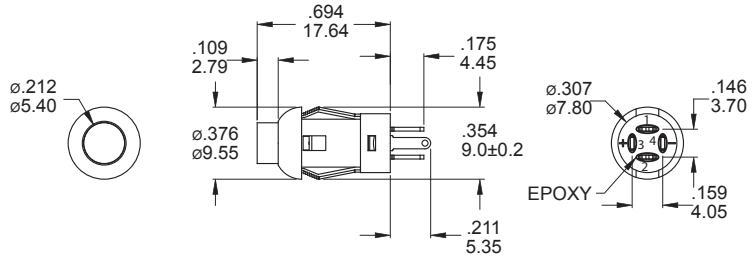
LED COLOR

ITEM NO	COLOR
01	White
03	Red
05	Yellow
06	Green
07	Blue
76	Blue (Green)

SWITCH FUNCTION



PBL Pushbutton Switches



Part No. Shown : PBL-XX